

4

3

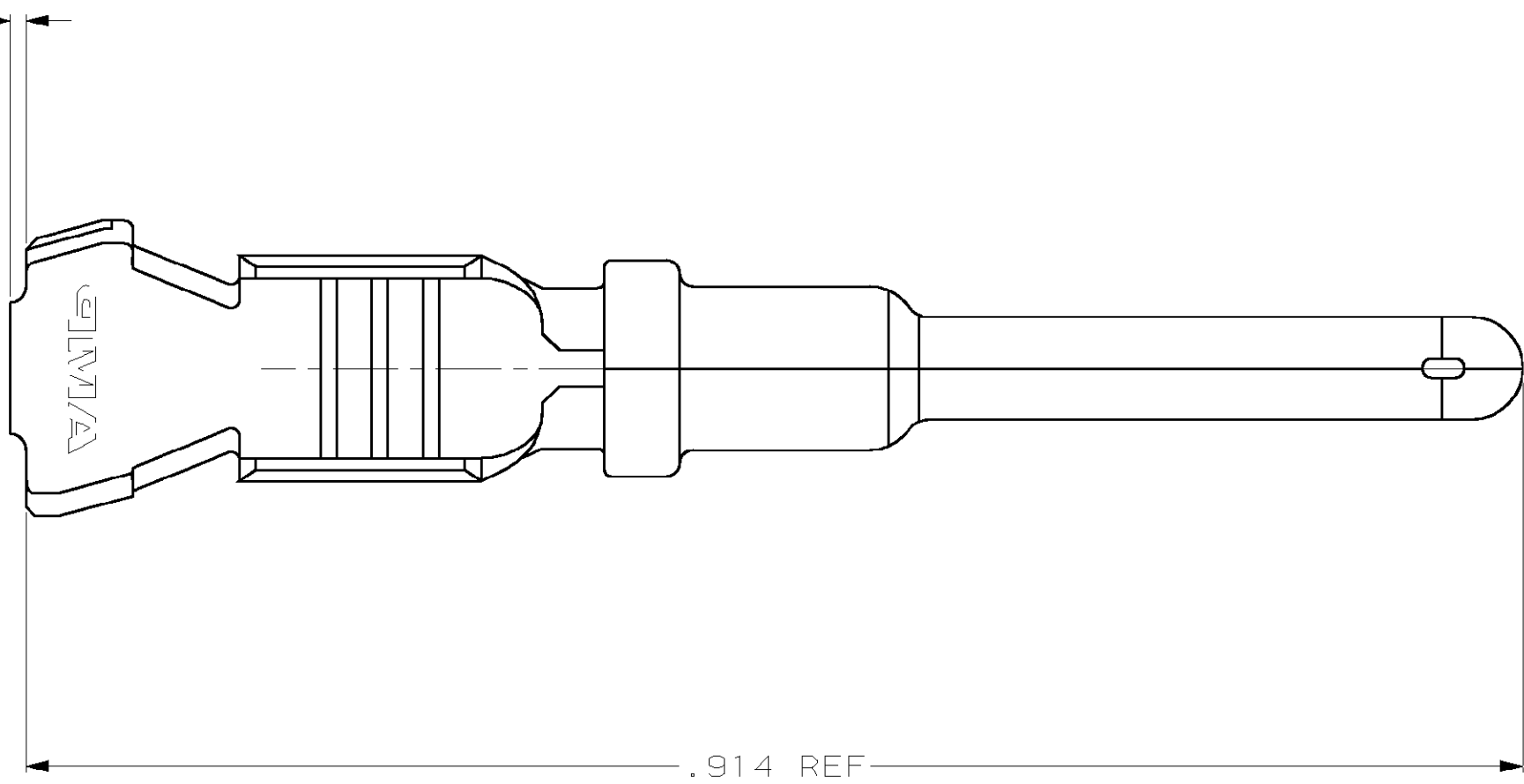
2

1

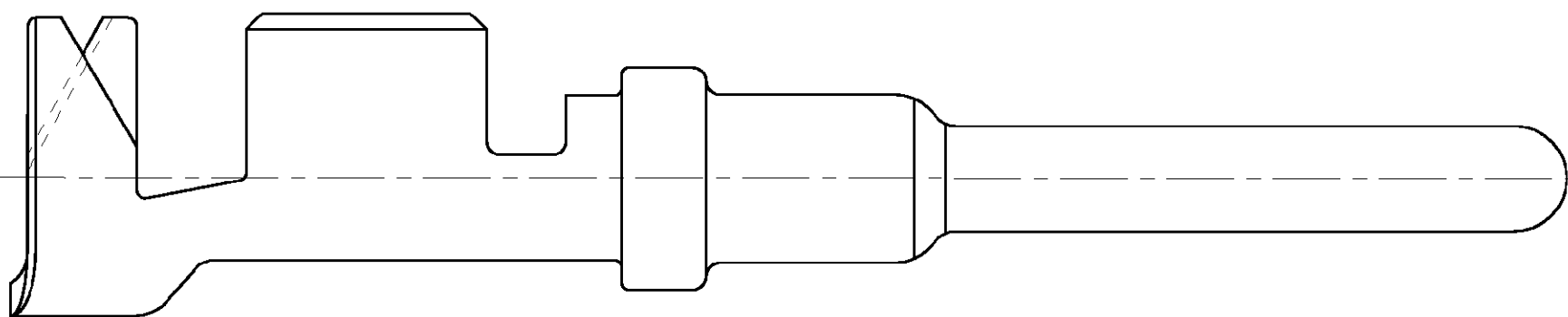
THIS DRAWING IS UNPUBLISHED. RELEASED FOR PUBLICATION .19  
 BY AMP INCORPORATED. ALL RIGHTS RESERVED.

LOC	DIST	REVISIONS			
P	LTR	DESCRIPTION	DATE	DWN	APVD
GE	33	0	REL PER PR# 99-7	2-16-99	PC WL
		A	REV PER OK40-0013-01	24AUG01	AG MT

.010 MAX  
CUT-OFF TAB



1. WIRE RANGE: 18-14 AWG



DESCRIPTION	FINISH	PART NUMBER
LOOSE PIECE VERSION OF 638078-3	NICKEL	776300-2
LOOSE PIECE VERSION OF 638078-1	GOLD	776300-1

THIS DRAWING IS A CONTROLLED DOCUMENT.		DWN P. COLLINS 2-16-99	AMP Incorporated Harrisburg, PA 17105-3608	
DIMENSIONS: mm		CHK W. LONG 2-16-99	NAME <b>AMP</b> PIN CONTACT, WIRE-TO-WIRE LOOSE PIECE	
TOLERANCES UNLESS OTHERWISE SPECIFIED: 0 PLC ± 1 PLC ± 2 PLC ±0.5 3 PLC ±0.13 4 PLC ± ANGLES ±		APVD S. MARPOE 2-16-99	PRODUCT SPEC -	RESTRICTED TO -
MATERIAL -	FINISH -	APPLICATION SPEC -	WEIGHT -	SIZE A2
		CUSTOMER DRAWING	SCALE 10:1	SHEET 1 OF 1 REV A

776300